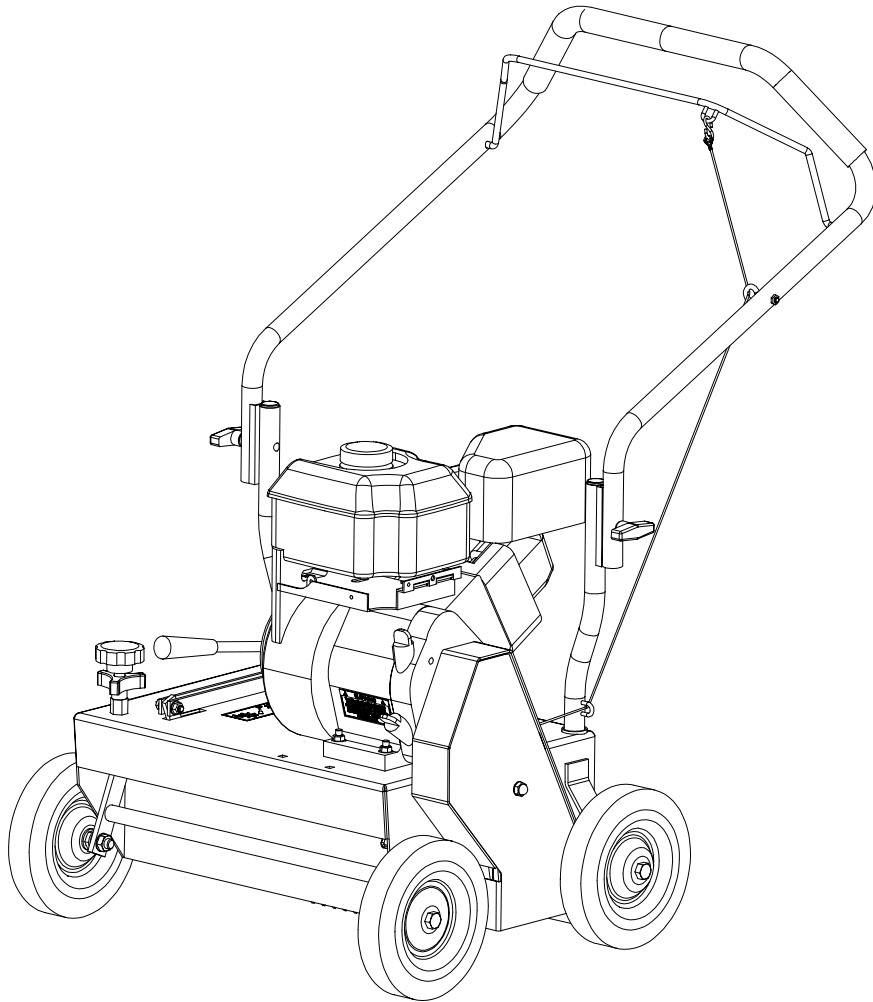


# Husqvarna



**Parts manual**

**Models: DT18  
DT18C  
SD18**

# Index

## Parts Manual

Page

### Replacement Parts Lists

Dethacher / Seeder Decals .....	3
Decal Placement .....	3
DT18C Compact Lawn Dethacher .....	5
DT18 Lawn Dethacher.....	7
DT18 Lawn Dethacher With Bagger.....	9
SD18 Seeder.....	11
Flail Blade Reel.....	13
Delta Blade Reel.....	14
Spring Tine Reel.....	15

### Model Designation and Number

This manual covers the following models.

#### **DT18C**

968981001  
968981002  
968981004  
968981005

#### **DT18**

968981007  
968981008

#### **SD18**

968981010  
968981011

# Dethacher / Seeder Decals

1



5



2



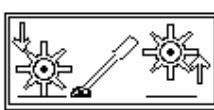
3



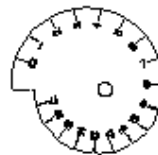
4



6



7



8



9

SEED APPLICATION CHART		LAWN PREPARATION	
TYPE	SPREAD RATE	TYPE	SPREAD RATE
RYEGRASS	1 - 2 1/2 2 - 3 1/2 3 - 4 1/2 4 - 5 1/2	OVERSEEDING	1/2 - 1 1/2 2 - 3 1/2 3 - 4 1/2 4 - 5 1/2
GRASS/LEAFY	1/2 - 1 1/2 2 - 3 1/2 3 - 4 1/2 4 - 5 1/2	SPRINGING	1/2 - 1 1/2 2 - 3 1/2 3 - 4 1/2 4 - 5 1/2
PERENNIAL	1 - 2 1/2 2 - 3 1/2 3 - 4 1/2 4 - 5 1/2	BY CALIBRATION	1/2 - 1 1 - 2 1/2

**SEEDING RECOMMENDATIONS:**  
 • FOR BEST RESULTS OPERATE IN TWO DIRECTION OF FORWARD APPLICATION RATE AT FIRST PASSING OR IN A BROADCAST PATTERN  
 • OPERATE SLOWLY (APPROXIMATELY 1/2 MPH)  
 • FOR SD - 18 ALWAYS WEAR YOUR SEATBELT  
 • AFTER OPERATING, WASH LAWN OFFEN TO PREVENT SEED GROWTH

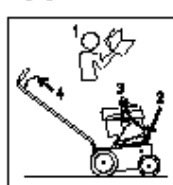
10



14



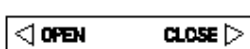
11



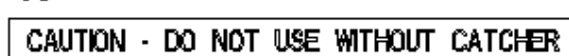
12



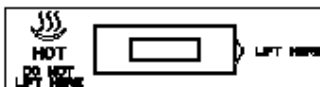
13



15



16

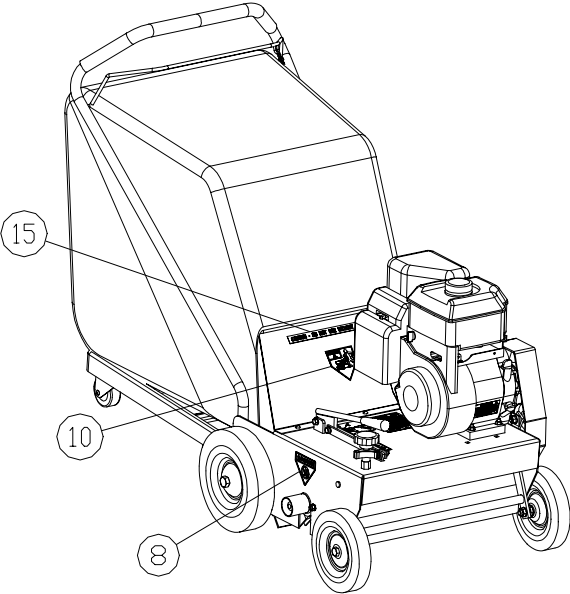
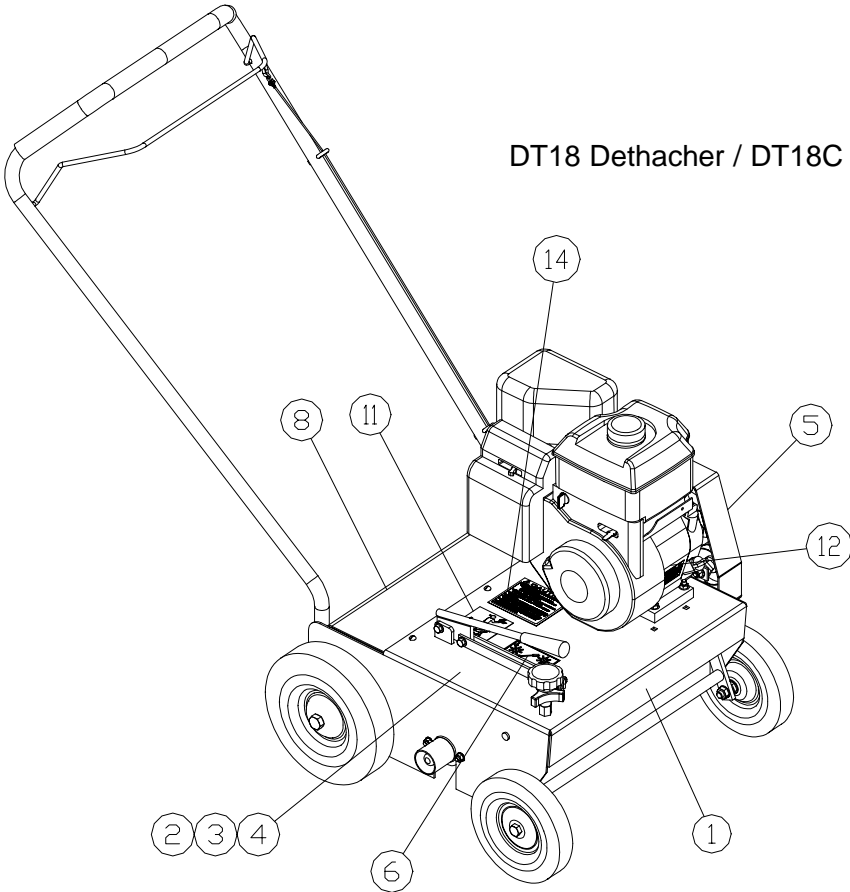


## ITEM DESCRIPTION

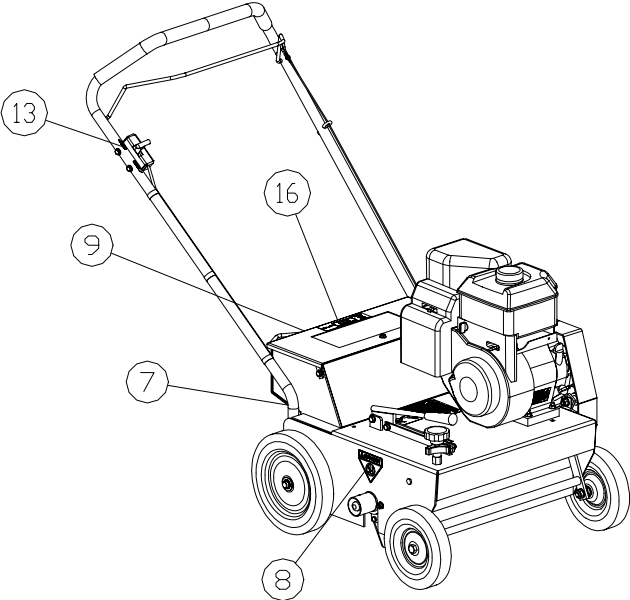
- 1 .....Decal, Husqvarna Logo
- 2 .....Decal, DT18C Dethacher
- 3 .....Decal, DT18 Dethacher
- 4 .....Decal, SD18 Seeder
- 5 .....Decal, Husqvarna Crown
- 6 .....Decal, Height Adjustment
- 7 .....Decal, Gage Dial
- 8 .....Decal, Danger Foot
- 9 .....Decal, Seed Application
- 10 .....Decal, Danger Chute
- 11 .....Decal, Controls DT18C / DT18 / SD18
- 12 .....Decal, Warning Carbon Monoxide
- 13 .....Decal, Open / Close,
- 14 .....Decal, Caution List
- 15 .....Decal, Caution Catcher
- 16 .....Decal, HOT Seeder Lid

# Dethacher / Seeder Decals

DT18 Dethacher / DT18C Dethacher

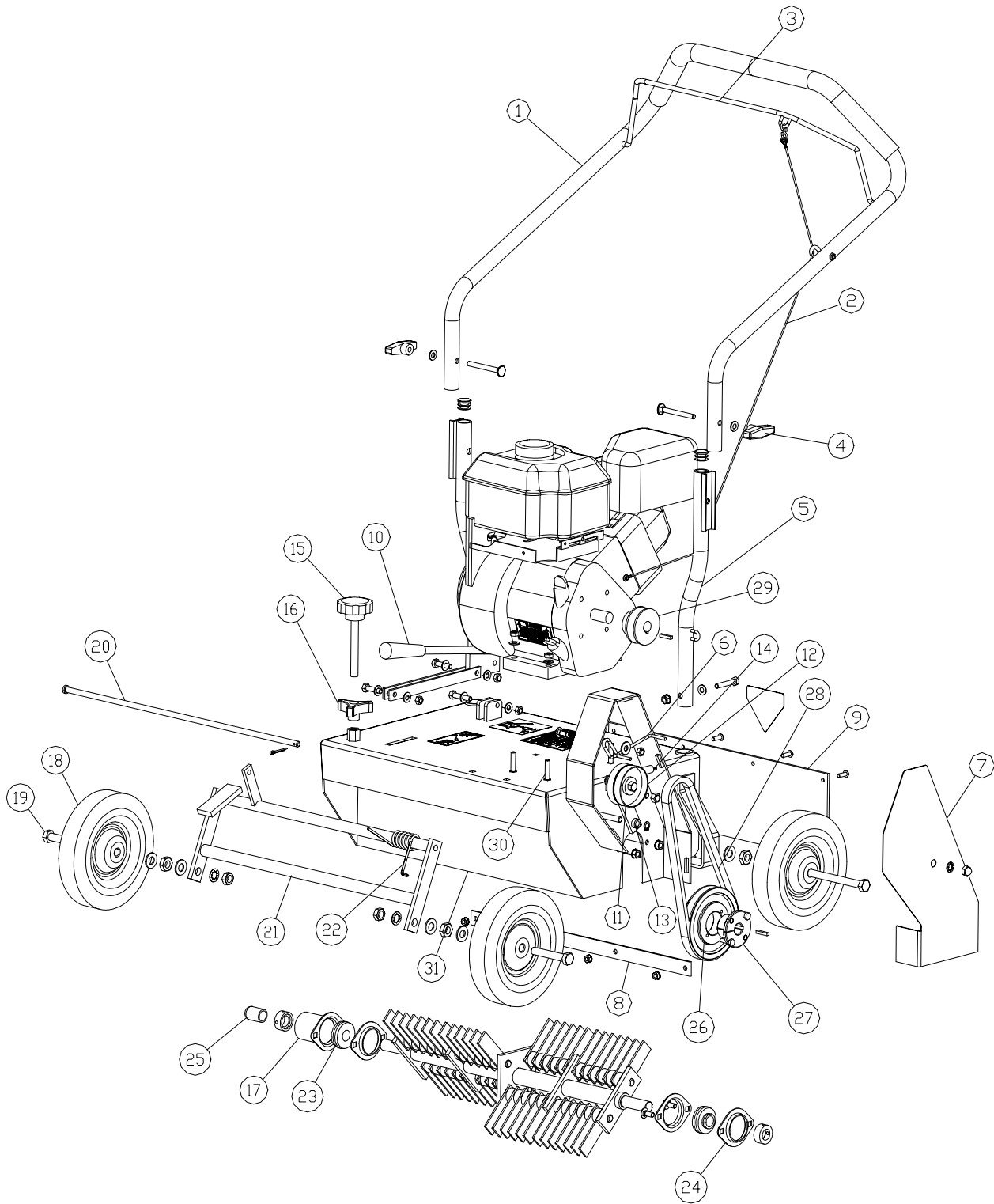


DT18 Dethacher with Bagger



SD18 Seeder

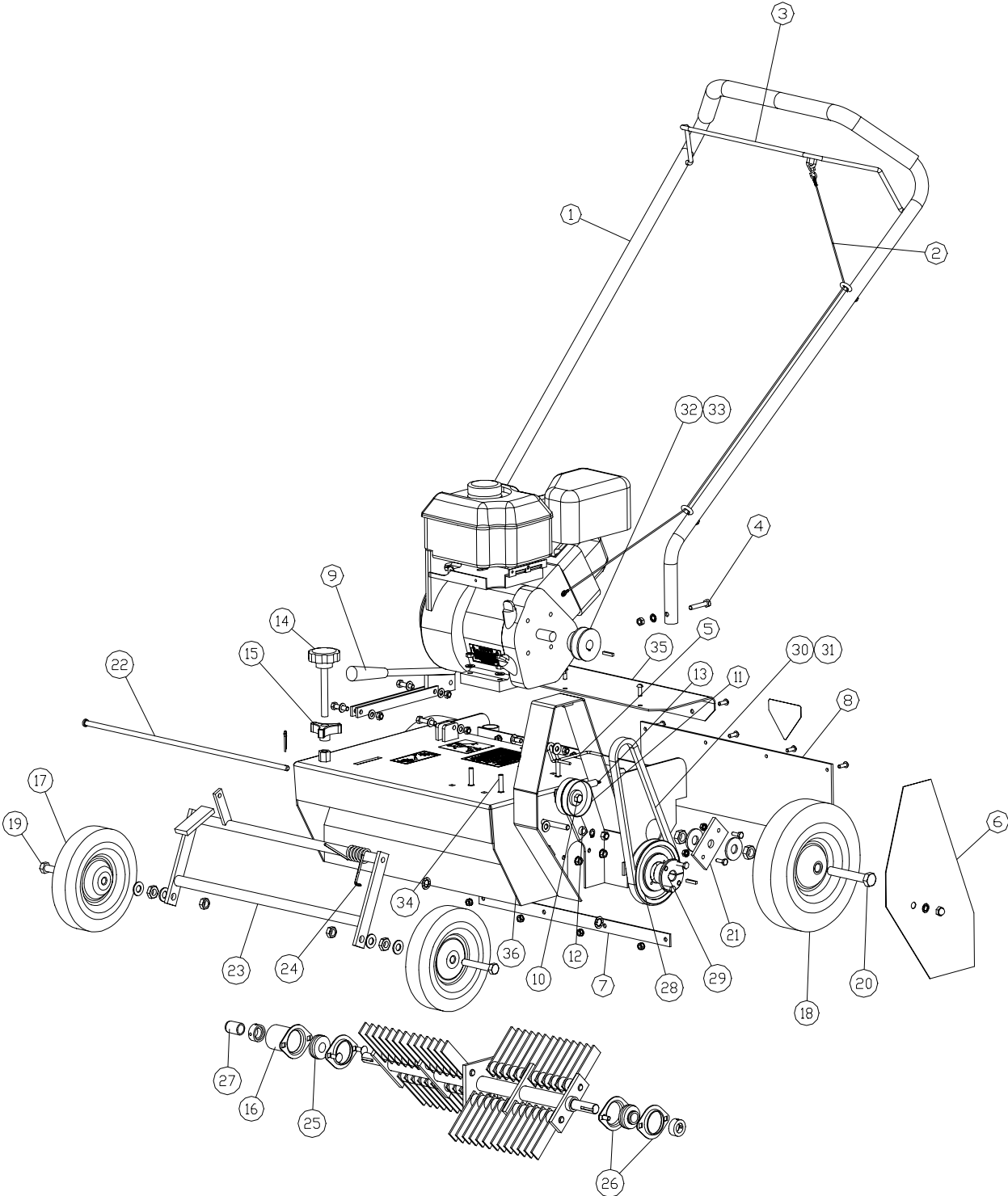
# DT18C Compact Dethacher



# DT18C Compact Dethacher

ITEM	PART NO.	DESCRIPTION
1	540054001	Handle Assembly. - includes handle, bail, clutch cable, S-hook and handle grip, eye bolt and nut
2	540054002	Clutch Cable Assembly. - includes clutch cable and S-hook
3	540054003	Bail
4	540054004	Knob, Folding Handle Kit - includes knob washer and bolt
5	540054005	Lower Handle Assembly. - includes folding handle mount, 5/16-18 x 1 3/4" HCS, internal lockwasher and 5/16-18 hex nut
6	540005140	Belt Keeper Kit - includes belt keeper, 5/16 washer, 5/16 hex lock nut, 5/16-18 x 3/4 carriage bolt
7	540054006	Belt Guard Kit - includes shield, 3/8 internal lock washer and 3/8-16 acorn nut
8	540054058	Deflector Kit - includes deflector strap, 1/4-20 x 3/4 slotted round screw (4 ea.), 1/4-20 hex keps nut (4 ea.)
9	540005161	Deflector, neoprene
10	540054007	Depth Lever Assembly. - includes height adjustment link (2 ea.), adjustment lever, 5/16-18 x 1 1/4 hex head bolt (2 ea.), 5/16-18x1 1/2 hex head bolt, 5/16 flat washer (6 ea.), 5/16-18 hex lock nut (3 ea.)
11	540005027	Idler Assembly Kit - includes 2 3/4 idler pulley, clutch spring, idler arm, idler tab, 3/8 washer, 3/8-16 hex jam nut, 3/8-16 hex lock nut, 3/8-16 x 4 hex screw
12	540000343	Pulley, idler 2 3/4 OD
13	540005121	Mounting Arm, idler pulley
14	540005129	Spring, Clutch rod
15	540054008	Depth Adjustments Knob
16	540054009	3 - pronged lock depth knob
17	540054010	Rotor guard
18	540005051	Wheel, 8 x 1 3/4, ball bearing
19	540054011	Bolt kit for wheel - includes 1/2-13 x 3 1/4 hex bolt, 1/2 washer (2 ea.), 1/2-13 hex jam nut (2 ea.), 1/2 lock washer (1 ea.)
20	540054012	Lift Arm Rod Kit - includes 1/4 cotter pin, 3/8 washer, plated rod
21	540054013	Lift Arm Assembly Kit - includes lift arm weldment, torsion spring
22	540054014	Torsion spring
23	540000315	Bearing, 3/4 with locking collar
24	540005185	Stamping Kit - includes 5/16-18 hex nut (2 ea.), 5/16-18x3/4 carriage bolt (2 ea.), bearing flanges (2 ea.), 5/16 lockwashers (2 ea.)
25	540005005	Rotor cap, 3/4 ID
26	540054015	V - Pulley, B-5.0 OD, tapered bore
27	540054016	Bushing kit - includes bushing 3/4 bore with screws, 3/16 square key
28	540054017	V - Belt, B-33, special
29	540054019	V - Pulley engine kit for 3/4 bore - includes V-pulley 2 1/2 OD x 3/4 bore, 3/16 square key
30	540054021	Engine Bolt Kit - includes 5/16-18 x 1 1/2 carriage bolt (4 ea.), 5/16 washer (8 ea.), 5/16-18 hex lock nut (4 ea.)
31	540054022	Deck, DT18C
32	540054052	Kit, Decal DT18C Dethacher (not shown)
33	540005053	Rear wheel, 10 x 2 3/4 ball bearing

# DT18 Dethacher

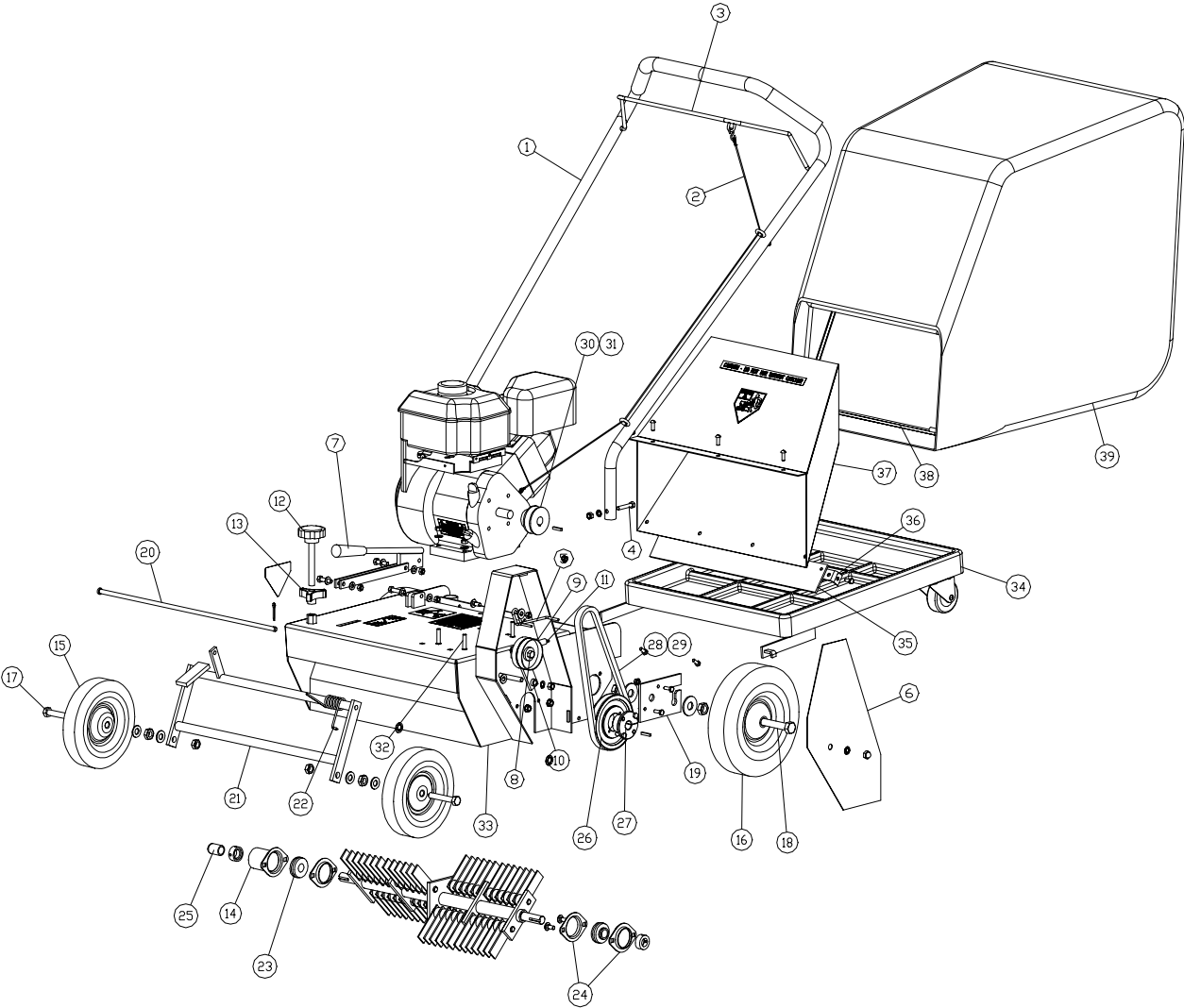


# DT18 Dethacher

ITEM	PART NO.	DESCRIPTION
1	540054023	Handle Assembly. - includes handle, bail, clutch cable, S-hook and handle grip
2	540054024	Clutch Cable Assembly. - includes clutch cable and S-hook
3	540054003	Bail
4	540005167	Bolt kit, handle - includes 5/6-18 x 1 3/4 hex cap screw (2 ea.), 5/16-18 hex nut (2 ea.)
5	540005140	Belt keeper kit - includes belt keeper, 5/16 washer, 5/16-18 hex lock nut, 5/16-18 x 3/4 carriage bolt
6	540054025	Belt Guard Kit - includes shield, 3/8 internal lock washer and 3/8-16 acorn nut
7	540005162	Deflector Kit - includes deflector strap (2 ea.), deflector plate, 1/4-20 x 3/4 slotted round screw (4 ea.), 1/4-20 hex nut (4 ea.), 1/4 lockwasher (4 ea.)
8	540005161	Deflector, neoprene
9	540054007	Depth Lever Assembly. - includes height adjustment link (2 ea.), adjustment lever, 5/16-18 x 1 1/4 hex head bolt (2 ea.), 5/16-18 x 1 1/2 hex head bolt, 5/16 flat washer (6 ea.), 5/16-18 hex lock nut (3 ea.)
10	540005027	Idler Assembly Kit - includes 2 3/4 idler pulley, clutch spring, idler arm, idler tab, 3/8 washer, 3/8-16 hex jam nut, 3/8-16 hex lock nut, 3/8-16 x 4 hex screw
11	540000343	Pulley, idler 2 3/4 OD
12	540005121	Mounting Arm, idler pulley
13	540005129	Spring, idler return
14	540054008	Depth Adjustments Knob
15	540054009	3 - pronged lock depth knob
16	540054010	Rotor guard
17	540005051	Front Wheel, 8 x 1 3/4, ball bearing
18	540005053	Rear Wheel, 10 x 2 3/4, ball bearing
19	540054011	Bolt kit for front wheel - includes 1/2-13 x 3 1/4 hex bolt, 1/2 washer (2 ea.), 1/2-13 hex jam nut (2 ea.), 1/2 lock washer (1 ea.)
20	540054026	Bolt kit for rear wheel - includes 5/8-11 x 4 hex bolts, 5/8-11 jam nut (2 ea.), 5/8 flat washer (2 ea.)
21	540054027	Wheel plate kit - includes wheel plate and 1/4-20 x 3/4 hex bolt (2 ea.)
22	540200195	Lift Arm Rod Kit - includes rod and 2 caps
23	540054028	Lift Arm Assembly Kit - includes lift arm weldment, torsion spring
24	540054014	Torsion spring
25	540000315	Bearing, 3/4 with locking collar
26	540005185	Stamping Kit - includes 5/16-18 hex nut (2 ea.), 5/16-18 x 3/4 carriage bolt (2 ea.), bearing flanges (2 ea.), 5/16 lockwashers (2 ea.)
27	540005005	Rotor cap, 3/4 ID
28	540054015	V - Pulley, B-5.0 OD, tapered bore
29	540054016	Bushing kit - bushing 3/4 bore with screws, key 3/16 x 1
30	540054018	V - Belt, B-34, special
31	540000339	V-Belt, B36, special (used for 8HP engine only)
32	540054019	V - Pulley engine kit for 3/4 bore - includes V-pulley 2 1/2 OD x 3/4 bore, 3/16 x 1 square key
33	540054020	V - Pulley engine kit for 1" bore - includes V-pulley 2 1/2 OD x 1" bore, 1/4 x 1 square key (used for 8HP engine only)
34	540054021	Engine Bolt Kit - includes 5/16-18 x 1 1/2 carriage bolt (4 ea.), 5/16 washer (8 ea.), 5/16-18 hex lock nut (4 ea.)
35	540054029	Deck Cover Kit - DT18 - includes cover, 1/4-20 x 3/4 slotted round screw (6 ea.)
36	540054030	Deck, DT18
37	540054053	Kit, Decal DT18 Dethacher (not shown)



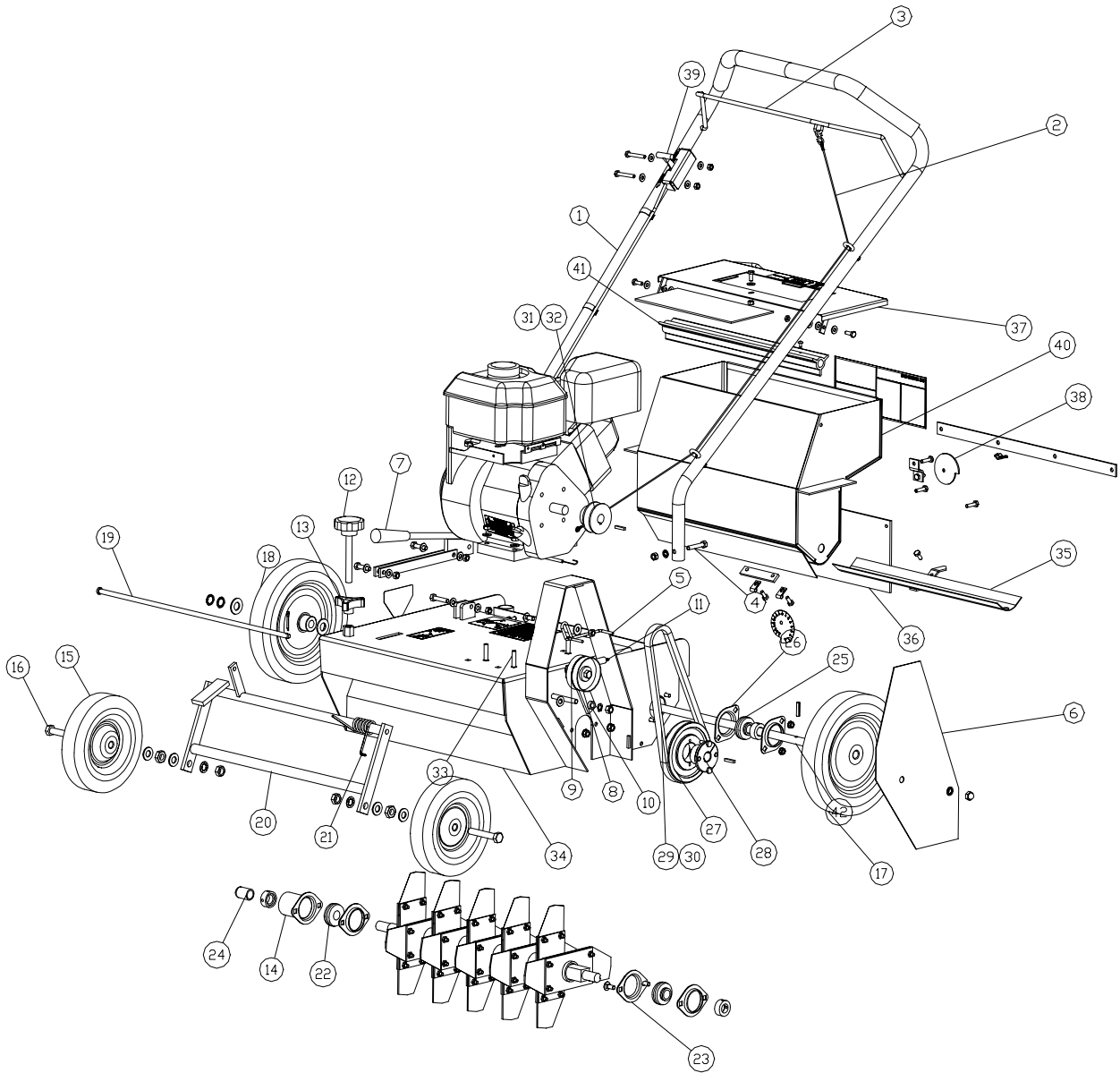
# DT18 Dethacher with Bagger



# DT18 Dethacher with Bagger

ITEM	PART NO.	DESCRIPTION
1	540054023	Handle Assembly. - includes handle,bail,clutch cable, S-hook and handle grip
2	540054024	Clutch Cable Assembly. - includes clutch cable and clip
3	540054003	Bail
4	540005167	Bolt kit, handle - includes 5/6-18 x 1 3/4 hex cap screw (2 ea.), 5/16-18 hex nut (2 ea.)
5	540005140	Belt keeper kit - includes belt keeper, 5/16 washer, 5/16-18 hex lock nut, 5/16-18 x 3/4 carriage bolt
6	540054025	Belt Guard Kit - includes shield, 3/8 internal lock washer and 3/8-16 acorn nut
7	540054007	Depth Lever Assembly. - includes height adjustment link (2ea), adjustment lever, 5/16-18 x 1 1/4 hex head bolt (2 ea.), 5/16-18 x 1 1/2 hex head bolt, 5/16 flat washer (6 ea.), 5/16-18 hex lock nut (3 ea.)
8	540005027	Idler Assembly Kit - includes 2 3/4 idler pulley, clutch spring, idler arm, idler tab, 3/8 washer, 3/8-16 hex jam nut, 3/8-16 hex lock nut, 3/8-16 x 4 hex screw
9	540000343	Pulley, idler 2 3/4 OD
10	540005121	Mounting Arm, idler pulley
11	540005129	Spring, idler return
12	540054008	Depth Adjustment Knob
13	540054009	3 - pronged lock depth knob
14	540054010	Rotor guard
15	540005051	Front Wheel, 8 x 1 3/4, ball bearing
16	540005053	Rear Wheel, 10 x 2 3/4, ball bearing
17	540054011	Bolt kit for front wheel - includes 1/2-13 x 3 1/4 hex bolt, 1/2 washer (2 ea.), 1/2-13 hex jam nut (2 ea.), 1/2 lock washer (1 ea.)
18	540054026	Bolt kit for rear wheel - includes 5/8-11 x 4 hex bolts, 5/8-11 jam nut (2 ea.), 5/8 flat washer (2 ea.)
19	540054031	Wheel plate kit - includes wheel plate and 1/4-20 x 3/4 hex bolt (2 ea.)
20	540200195	Lift Arm Rod Kit - includes rod and caps (2 ea.)
21	540054028	Lift Arm Assembly Kit - includes lift arm weldment, torsion spring
22	540054014	Torsion spring
23	540000315	Bearing, 3/4 with locking collar
24	540005185	Stamping Kit - includes 5/16-18 hex nut (2 ea.), 5/16-18 x 3/4 carriage bolt (2 ea.), bearing flanges (2 ea.), 5/16 lockwashers (2 ea.)
25	540005005	Rotor cap, 3/4 ID
26	540054015	V - Pulley, B-5.0 OD, tapered bore
27	540054016	Bushing kit - bushing 3/4 bore with screws, key 3/16 x 1
28	540054018	V - Belt, B-34, special
29	540000339	V-Belt, B36, special (used for 8HP engine only)
30	540054019	V - Pulley engine kit for 3/4 bore - includes V-pulley 2 1/2 OD x 3/4 bore, 3/16 x 1 square key
31	540054020	V - Pulley engine kit for 1" bore - includes V-pulley 2 1/2 OD x 1" bore, 1/4 x 1 square key (used for 8HP engine only)
32	540054021	Engine Bolt Kit - includes 5/16-18 x 1 1/2 carriage bolt (4 ea.), 5/16 washer (8 ea.), 5/16-18 hex lock nut (4 ea.)
33	540054030	Deck, DT18
34	540054034	Bagger platform kit - includes platform, casters (2 ea.)
35	540054035	Neoprene chute 3/16 x 20.5
36	540054036	Chute kit - includes 3/16 x 20.5 neoprene chute flap, metal chute mounting strap, 1/4-20 x 5/8 hex screw (2 ea.), 1/4-20 hex nut (4 ea.)
37	540054037	Chute weldment kit - includes chute weldment and 1/4-20 x 3/4 round slotted screw (3 ea.)
38	540054038	Bagger frame
39	540005464	Catcher bag
40	540000061	Bagger conversion kit - includes bagger frame, catcher bag, chute weldment and hardware, neoprene chute flap, mounting tab and hardware, bagger platform, casters (not shown)
41	540054054	Kit, decal DT18 Bagger (not shown)

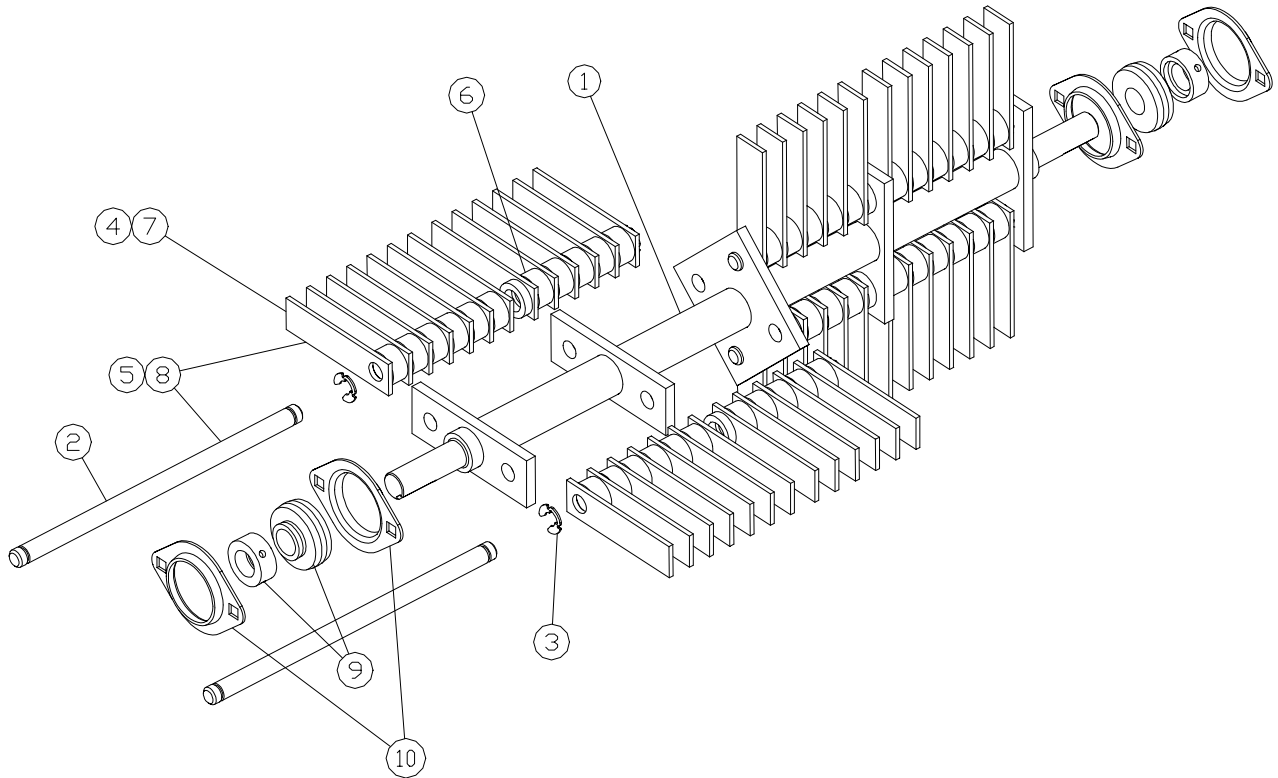
# SD18 Seeder



# SD18 Seeder

ITEM	PART NO.	DESCRIPTION
1	540054023	Handle Assembly. - includes handle, bail, clutch cable, S-hook and handle grip
2	540054024	Clutch Cable Assembly. - includes clutch cable and clip
3	540054003	Bail
4	540005167	Bolt kit, handle - includes 5/6-18 x 1 3/4 hex cap screw (2 ea.), 5/16-18 hex nut (2 ea.)
5	540005140	Belt keeper kit - includes belt keeper, 5/16 washer, 5/16-18 hex lock nut, 5/16-18 x 3/4 carriage bolt
6	540054025	Belt Guard Kit - includes shield, 3/8 internal lock washer and 3/8-16 acorn nut
7	540054007	Depth Lever Assembly. - includes height adjustment link (2 ea.), adjustment lever, 5/16-18 x 1 1/4 hex head bolt (2 ea.), 5/16-18 x 1 1/2 hex head bolt, 5/16 flat washer (6 ea.), 5/16-18 hex lock nut (3 ea.)
8	540005027	Idler Assembly Kit - includes 2 3/4 idler pulley, clutch spring, idler arm, idler tab, 3/8 washer, 3/8-16 hex jam nut, 3/8-16 hex lock nut, 3/8-16 x 4 hex screw
9	540000343	Pulley, idler 2 3/4 OD
10	540005121	Mounting Arm, idler pulley
11	540005129	Spring, idler return
12	540054008	Depth Adjustment Knob
13	540054009	3 - pronged lock depth knob
14	540054010	Rotor guard
15	540005051	Front Wheel, 8 x 1 3/4, ball bearing
16	540054011	Bolt kit for front wheel - includes 1/2-13 x 3 1/4 hex bolt, 1/2 washer (2 ea.), 1/2-13 hex jam nut (2 ea.), 1/2 lock washer (1 ea.)
17	540054041	Wheel , left rear kit - includes 10 x 1.75 wheel 5/8 bore smooth, 1/4 x 1 1/8 roll pin
18	540054042	Wheel, right rear kit - includes 10 x 1.75 wheel 5/8 bore bearing, 5/8 external self locking retaining ring (2 ea.)
19	540200195	Lift Arm Rod Kit - includes rod and caps (2 ea.)
20	540054028	Lift Arm Assembly Kit - includes lift arm weldment, torsion spring
21	540054014	Torsion spring
22	540000315	Bearing, 3/4 with locking collar
23	540005185	Stamping Kit - includes 5/16-18 hex nut (2 ea.), 5/16-18 x 3/4 carriage bolt (2 ea.), bearing flanges (2 ea.), 5/16 lockwashers (2 ea.)
24	540005005	Rotor cap, 3/4 ID
25	540009127	Bearing, 5/8 with locking collar
26	540054049	Stamping kit - 1/4-20 hex nut (2 ea.), 1/4-20 x 3/4 carriage bolt (2 ea.), bearing flanges (2 ea.)
27	540054015	V - Pulley, B-5.0 OD, tapered bore
28	540054016	Bushing kit - bushing 3/4 bore with screws, key 3/16 x 1
29	540054018	V-Belt, B-34 special
30	540000339	V-Belt, B-36 special (used for 8HP engine only)
31	540054019	V - Pulley engine kit for 3/4 bore - includes V-pulley 2 1/2 OD x 3/4 bore, 3/16 x 1 square key
32	540054020	V - Pulley engine kit for 1" bore - includes V-pulley 2 1/2 OD x 1" bore, 1/4 x 1 square key (used for 8HP engine only)
33	540054021	Engine Bolt Kit - includes 5/16-18 x 1 1/2 carriage bolt (4 ea.), 5/16 washer (8 ea.), 5/16-18 hex lock nut (4 ea.)
34	540054030	Deck, DT18
35	540005162	Deflector kit - includes deflector strap (2 ea.), deflector plate, 1/4-20 x 3/4 slotted round screw (4 ea.), 1/4-20 nut hex (4 ea.), 1/4 lockwasher (4 ea.)
36	540005161	Deflector, neoprene
37	540054043	Lid, seed hopper kit - includes lid, window and hardware
38	540054044	Dial, gage kit - includes dial bracket and hardware
39	540054045	Control, push/pull kit - includes push/pull control, control mount plate, bracket (2 ea.), gate and hardware
40	540054046	Seed hopper
41	540054047	Agitator bar
42	540054048	Axle, 5/8 shaft, seeder
43	540006900	Seeder conversion kit - includes hopper, agitator, seeder control, and hardware (not shown)
44	540054055	Kit Decal SD18 Seeder (not shown)

# Flail Blade Reel



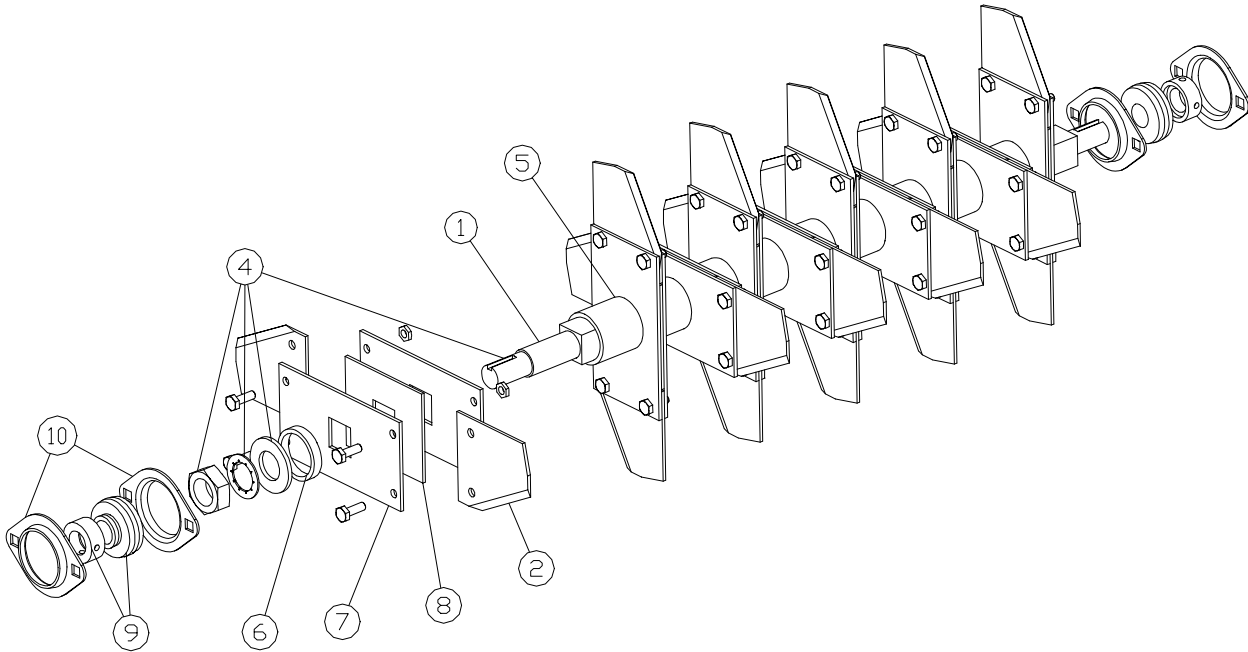
## ITEM PART NO.

## DESCRIPTION

1	540005170	Rotor, flail assembly. (does not include blades, bearings, or shafts) DT18C / DT18
	540005275	Rotor, flail assembly, complete w/o bearings DT18C
	540005175	Rotor, flail assembly, complete w/o bearings DT18
	540005280	Rotor, flail assembly, complete w/ blades and bearings DT18C
	540005180	Rotor, flail assembly, complete w/ blades and bearings DT18
2	540005002	Shaft set, 4 ea w/ C-clips DT18C / DT18
3	540000351	Retaining clip DT18C / DT18
4	540005201	Blade set (52 ea.) 1/8 x 3 1/2 DT18C
5	540005203	Blade and shaft set DT18C
6	540005004	Spacer set, rubber (48 ea.) DT18C / DT18
7	540005001	Blade set (52 ea.) DT18
8	540005003	Blade and shaft set DT18
9	540000315	Bearing, 3/4 with locking collar DT18C / DT18
10	540005185	Stamping kit - includes flanges and hardware DT18C / DT18

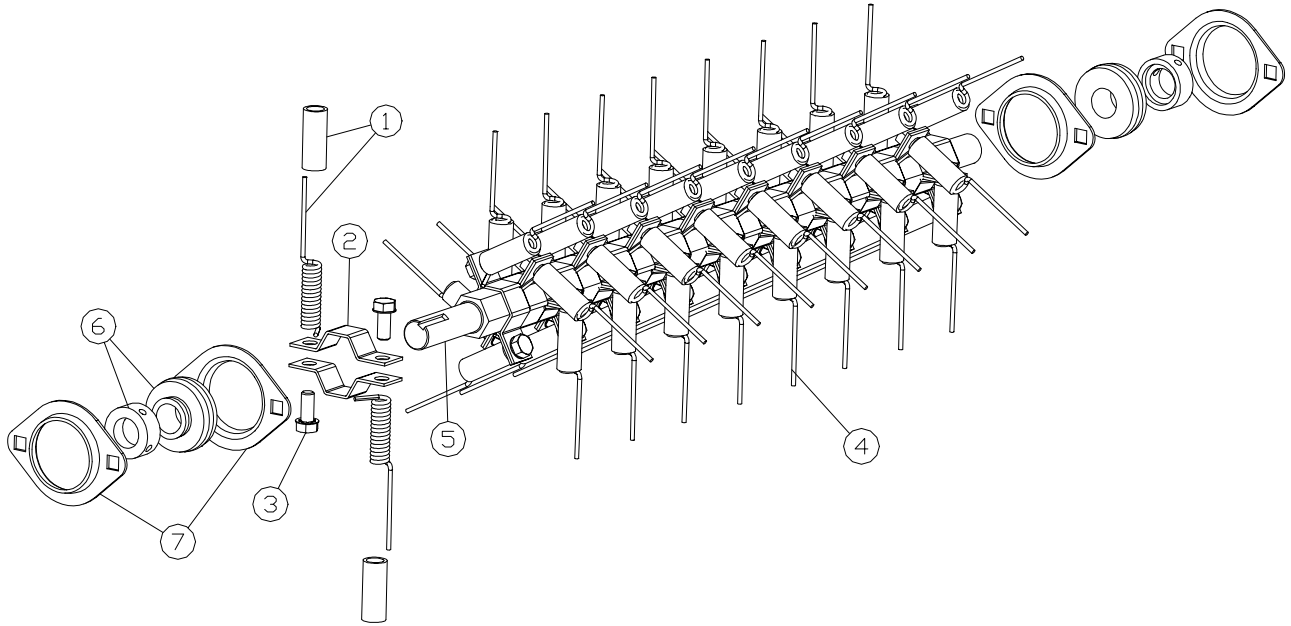
# Delta Blade Reel

When blades no longer penetrate surface, replace blades



ITEM	PART NO.	DESCRIPTION
1	540005249	Delta reel assembly, w/o blades or hardware DT18C
	540005049	Delta reel assembly, w/o blades or hardware DT18
	540005920	Delta reel assembly, complete w/o bearings DT18C
	540005940	Delta reel assembly, complete w/o bearings DT18
	540005922	Delta reel assembly, Complete w/ blades and bearings DT18C
	540005942	Delta reel assembly, Complete w/ blades and bearings DT18
2	540005970	Blade set, Delta (20 ea.) DT18C / DT18
3	540005075	Bolt kit, blade DT18C / DT18 (not shown)
4	540005061	Shaft, delta reel w/ nut and washers DT18C / DT18
5	540005064	Spacer, carrier, steel tube (1 ea.) DT18C / DT18
6	540005065	End ring, steel (1 ea.) DT18C / DT18
7	540005268	Plate, blade carrier (1 ea.) DT18C
	540005062	Plate, blade carrier (1 ea.) DT18
8	540005269	Plate, blade spacer DT18C
	540005063	Plate, blade spacer DT18
9	540000315	Bearing, 3/4 with locking collar DT18C / DT18
10	540005185	Stamping kit - includes flanges and hardware DT18C / DT18

# Spring Tine Reel



1. Spring tines can be replaced without removing the reel assembly.
2. Replacement requires 1/2" socket.
3. This reel is only used on the DT18C dethacher.

## ITEM PART NO.

## DESCRIPTION

1 .....	540091010 .....	Spring tine w/ sleeve (orders in increments of 100 are preferred)
2 .....	540091011 .....	Clamp, tine (orders in increments of 100 are preferred)
3 .....	540091012 .....	Screw for tine (orders in increments of 100 are preferred)
4 .....	540054050 .....	Reel tine assembly, complete w/o bearings
	540054056 .....	Reel tine assembly, complete w/ bearings
5 .....	540054051 .....	Shaft, tine reel
6 .....	540000315 .....	Bearing, 3/4 with locking collar
7 .....	540005185 .....	Stamping kit - includes flanges and hardware



**Technical assistance:**  
**For technical assistance please contact your Local Dealer.**